

Area Gripping Systems FM-SW

Suction area (LxW) from 38 x 22 mm to 76 x 22 mm



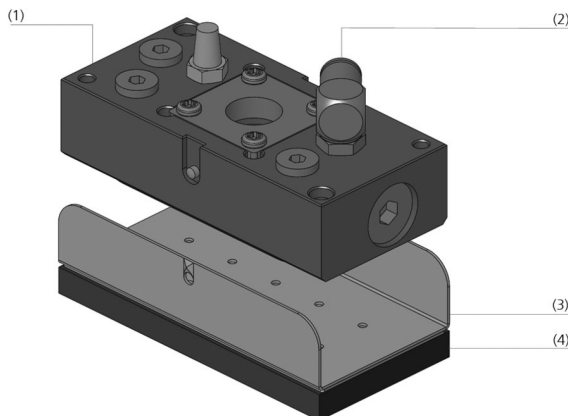
Suitability for industry specific applications

Application

- For use in packaging processes for handling a wide range of products, e.g. filling boxes
- Ideal for integration in packaging machines (e.g. case packers) due to its compact dimensions and low weight
- For use on vacuum suction spiders for handling bending workpieces such as metal sheets and veneer
- FM type with connection for external vacuum generation



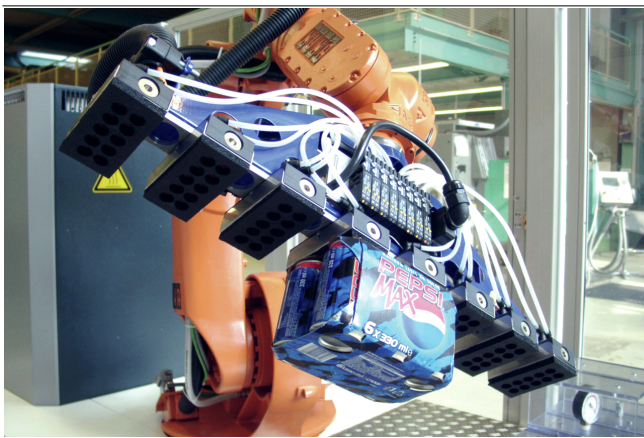
Area Gripping Systems FM-SW



Design

- Plastic main body (1) with connections (2) for the external vacuum generator hoses
- Plug-in suction plate (3) with integrated flow restrictors
- Sealing element (4): sealing foam
- Optional vacuum sensor and external blow off function

System design Area Gripping Systems FM-SW



Area gripping systems FM-SW when handling beverage packaging

Product highlights

- External vacuum generator enables high volume flows and negative pressure down to -0.8 bar at low operating costs
- Gripper can be optimally adapted to the application by selecting the sealing element (suction cup or sealing foam)
- Integrated flow restrictors minimize leakage losses when suction cells are not occupied
- Base body made of plastic for high rigidity with low weight

Area Gripping Systems FM-SW

Suction area (LxW) from 38 x 22 mm to 76 x 22 mm

Ordering data Area Gripping Systems FM-SW

Type	Part no.
FM-SW 38x22 N10	10.01.10.00841
FM-SW 76x22 4x6 0.4 N10	10.01.11.00851

Ordering data Spare parts Area Gripping Systems FM-SW

Type	Spare parts		Part no.
FM-SW 38x22 N10	Sealing plate Palletizer	DI-PL SPZ 38x22 N10	10.01.10.00840
FM-SW 76x22 4x6 0.4 N10	Sealing plate	DI-PL 76x22 N10 FLGR	10.01.11.01388

Technical data Area Gripping Systems FM-SW

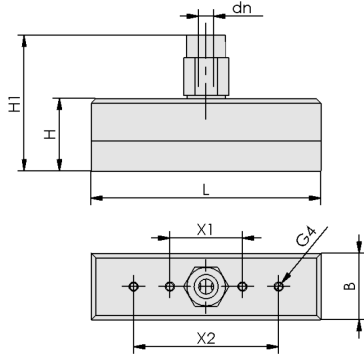
Type	Number of suction cells	Holding force at 60 % vacuum [N]*	Weight [kg]
FM-SW 38x22 N10	11	-	0.1
FM-SW 76x22 4x6 0.4 N10	26	40	0.1

*With the gripper fully covered by a rigid workpiece

Area Gripping Systems FM-SW

Suction area (LxW) from 38 x 22 mm to 76 x 22 mm

Design data Area Gripping Systems FM-SW



FM-SW 76x22 N10

Area Gripping Systems FM-SW

Suction area (LxW) from 38 x 22 mm to 76 x 22 mm

Design data Area Gripping Systems FM-SW

Type	B [mm]	d4 [mm]	dn [mm]*	G1		H [mm]	H1 [mm]	L [mm]	X1 [mm]	X2 [mm]	Y1 [mm]
FM-SW 38x22 N10	22	-	8	-	-	23	44	38	24	-	-
FM-SW 76x22 4x6 0.4 N10	22	-	8	-	-	24	45	76	24	48	-

*Requires an 8/6 mm compressed air hose